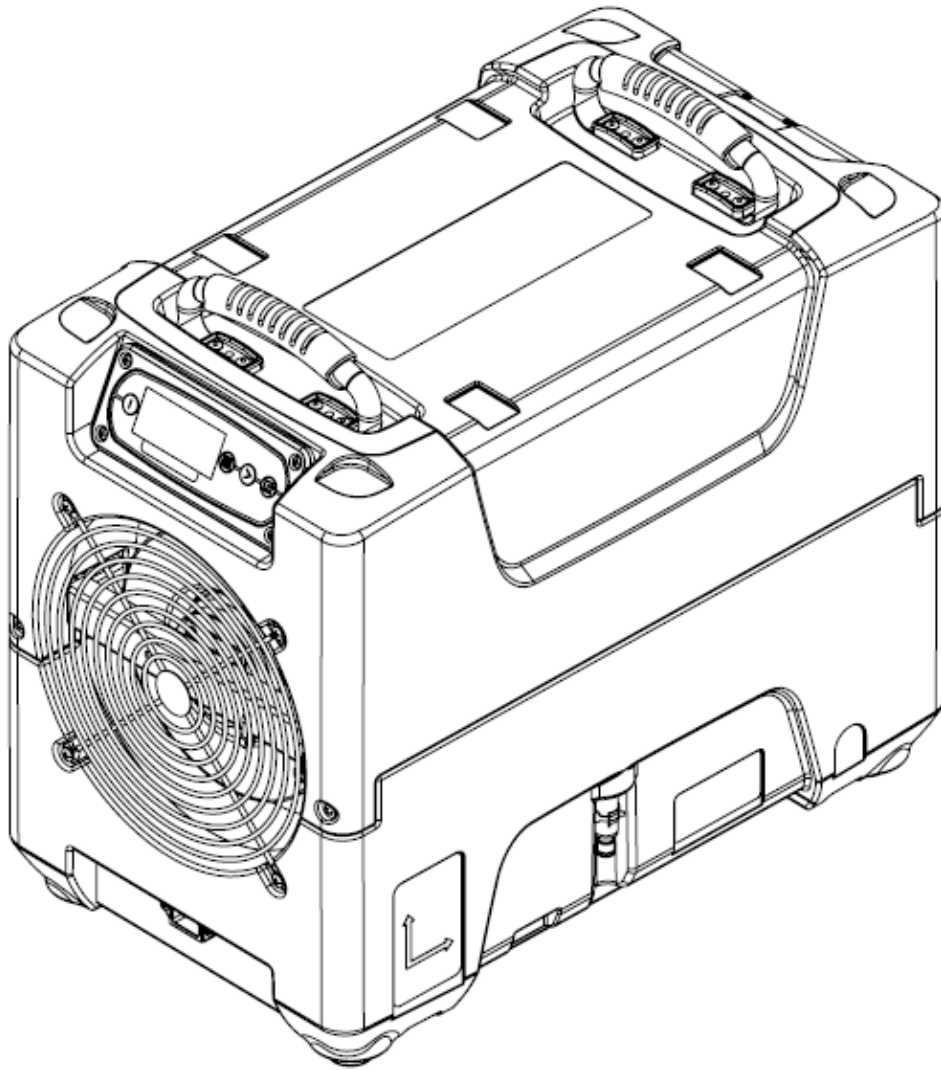


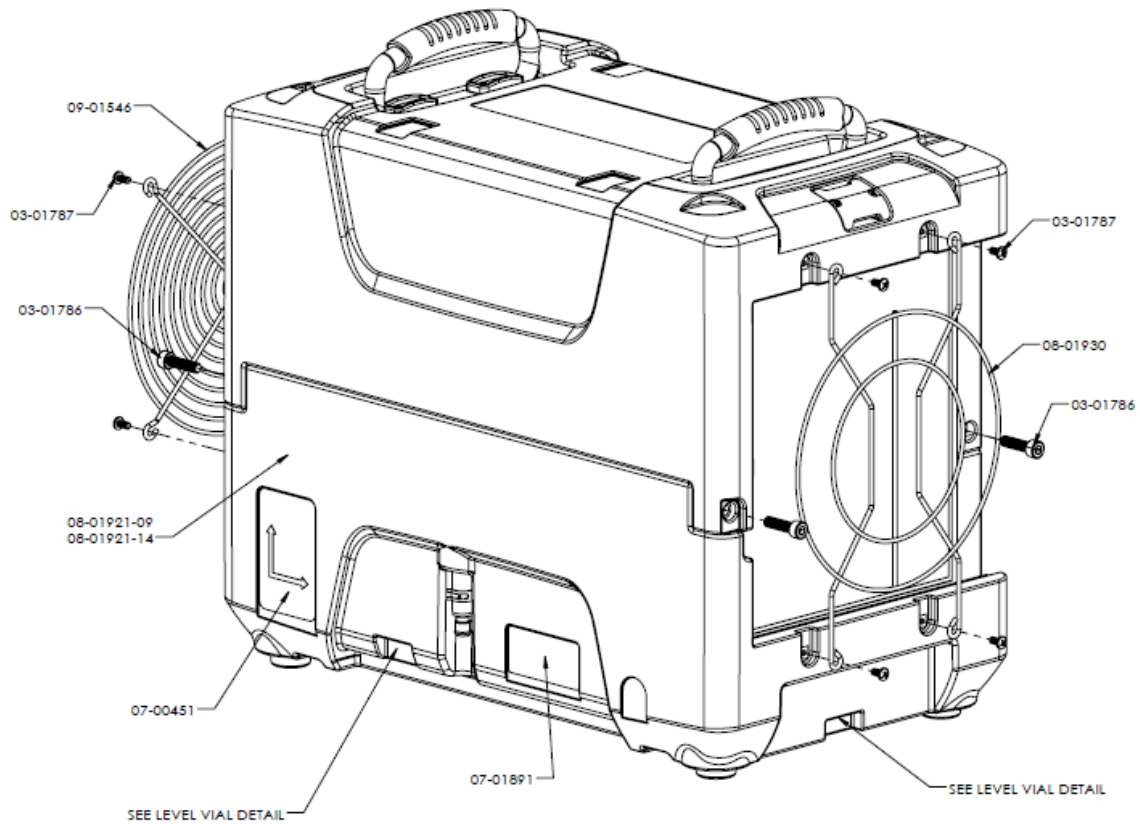
PHD 200 DEHUMIDIFIER PARTS LIST

MODEL: 10306 (F515)



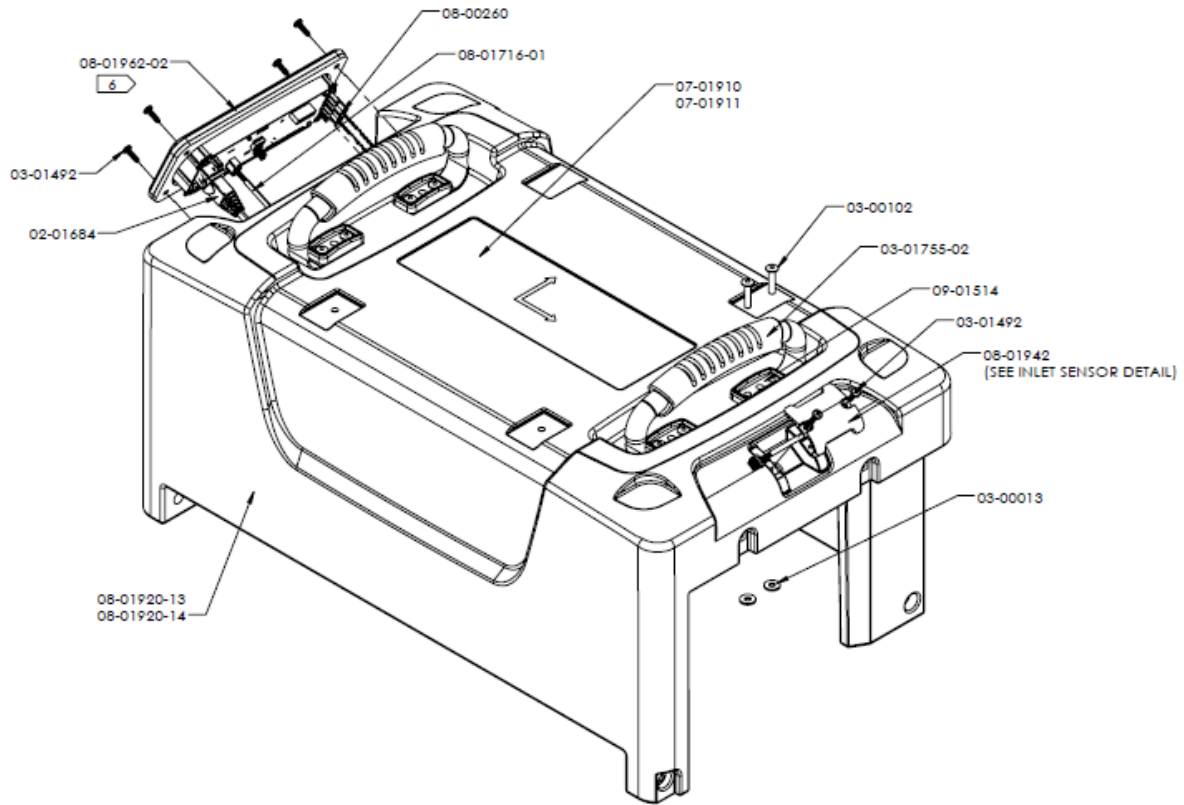
PARTS LIST

PHD 200 OUTER ASSEMBLY VIEW



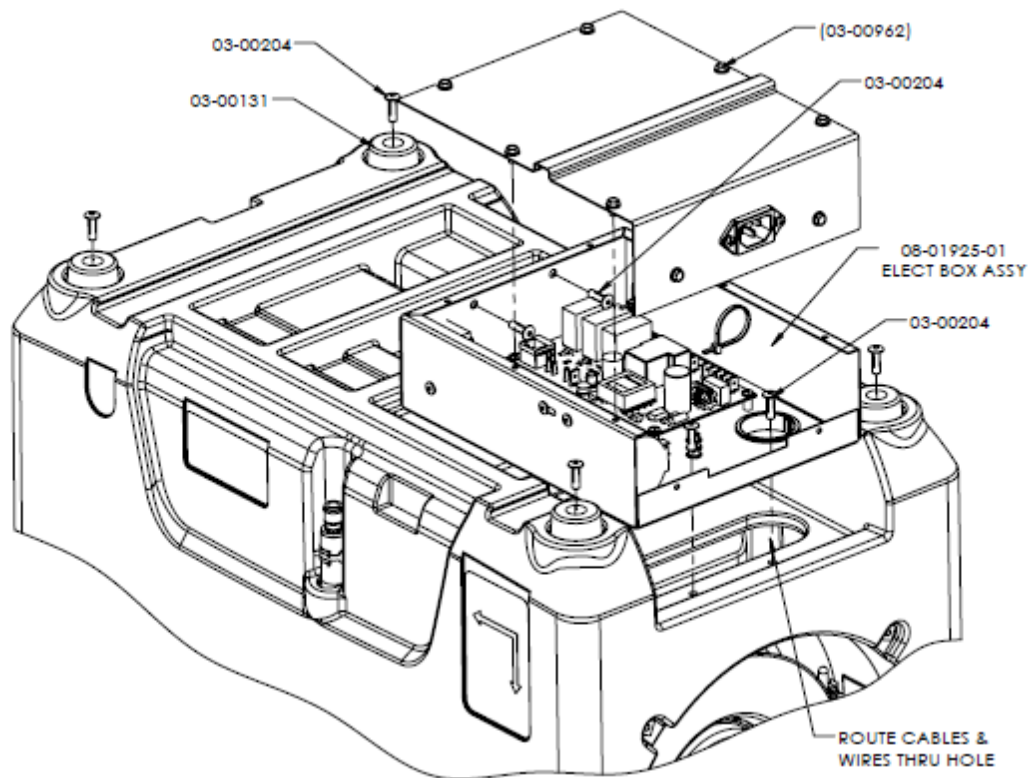
NEW PART NO.	OLD PART NO.	QTY	DESCRIPTION
112435	03-01787	8	SCREW - M5 X 10MM PHP ZP8
107778	07-00451	1	LABEL - WARNING ANSI EVOLUTION
108946	07-01891	1	LABEL - MODEL/SERIAL 115V cETL 95°40% DEHUS
117503	08-01921-09	1	HOUSING - BOTTOM POLYETHYLENE FLINT GRAY
106055	08-01921-14	1	HOUSING - BOTTOM POLYETHYLENE FLINT GRAY WITH PUMP HOLES
105656	08-01930	1	GRILL - FILTER INLET PC WR BLK REVOLUTION
117216	09-01546	1	GRILL - OUTLET PC GL BLK REVOLUTION

PHD 200 TOP ASSEMBLY VIEW



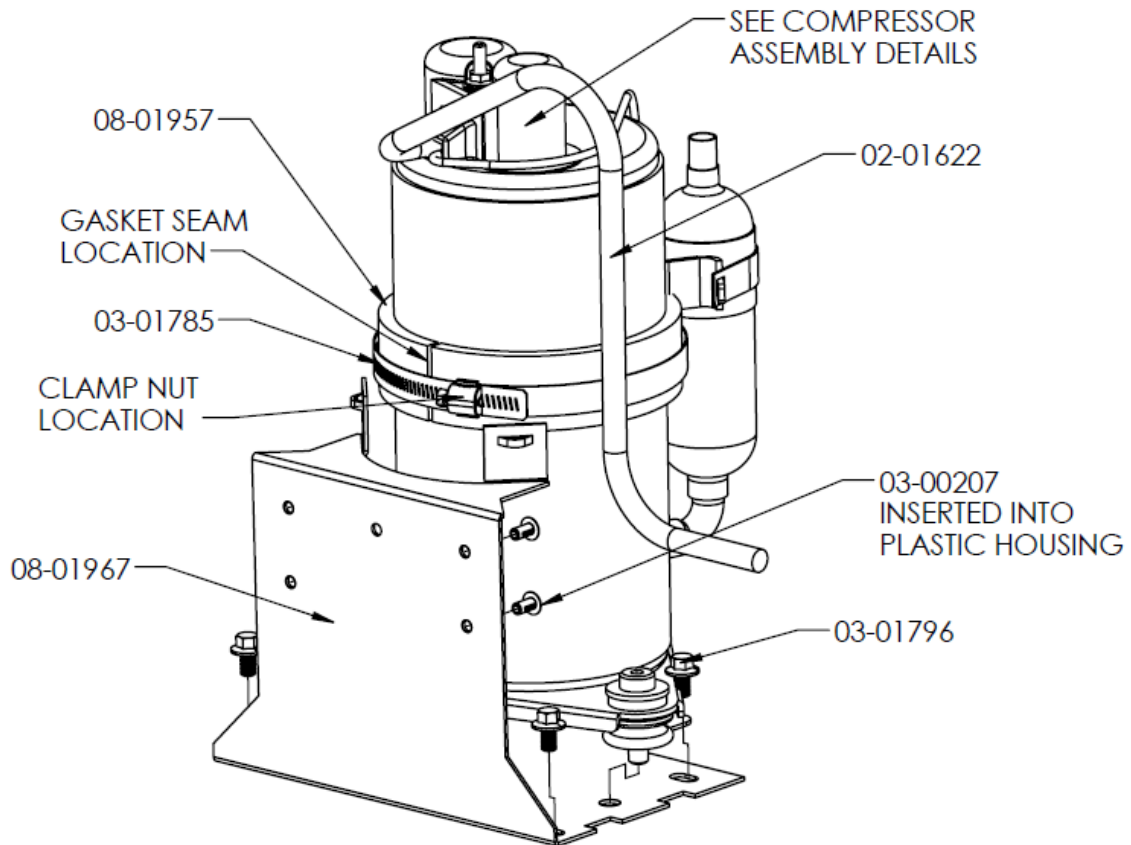
NEW PART NO.	OLD PART NO.	QTY	DESCRIPTION
102473	02-01684	1	CABLE ASSY - BLUE PATCH CAT 5E 3FT
114773	03-00013	2	WASHER - 3/16 RIVET .19 ID X .47 OD X .05 ZP
112014	03-00102	2	RIVET - 3/16 X 5/8 AL/AL BLK ANOD
114409	03-01492	6	SCREW - #6 X 1/2 AB PHP ZP
105456	03-01755-02	2	HANDLE - GRAB WITH LIFTING STRAP
107574	07-01910	1	LABEL - PRODUCT CMC200
109034	07-01911	1	LABEL - PRODUCT PHD 200
119488	08-00260	2	SENSOR CABLE ASSY - MICRO CONTROLLER TEMP DEFROST DEHUS
112915	08-01716-01	1	SENSOR ASSY - TEMP/RH CABLED
107955	08-01920-13	1	HOUSING - TOP POLYETHYLENE FLINT GRAY W/O HOLES
117538	08-01920-14	1	HOUSING - TOP POLYETHYLENE FLINT GRAY W/O STRAP HOLES
115081	08-01942	1	PLATE - INLET SENSOR COVER ABS BLK
111754	08-01962-02	1	CONTROL PANEL ASSY - MEMBRANE TOUCH PAD CONTROL 115/230V DEHUS
102724	09-01514	4	CLIP - HANDLE MTG NYLON BLK

PHD 200 BOTTOM ASSEMBLY VIEW



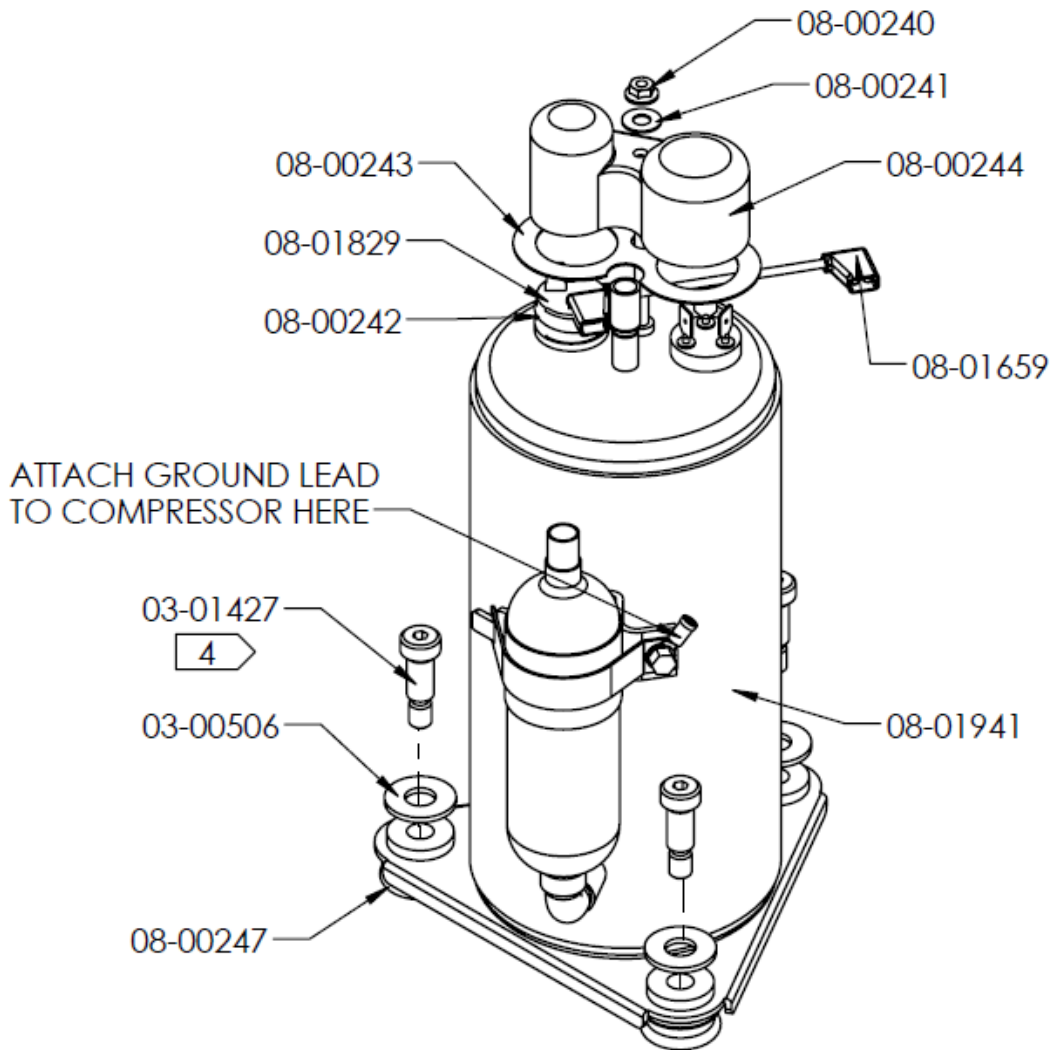
NEW PART NO.	OLD PART NO.	QTY	DESCRIPTION
106508	03-00131	4	FOOT - ROUND 3/16 ID X 1.25 OD X 5/8 RUBBER BLK
112015	03-00204	8	RIVET - 3/16 X 5/8 TRI FOLD AL/AL
119379	03-00962	8	SCREW - #8-32 X 1/4 TC CLASS 2 HWH ZP
116252	08-01925-01	1	ELECTRICAL BOX ASSY - HIGH VOLTAGE 115V REVOLUTION

PHD 200 COMPRESSOR MOUNTING BASE VIEW



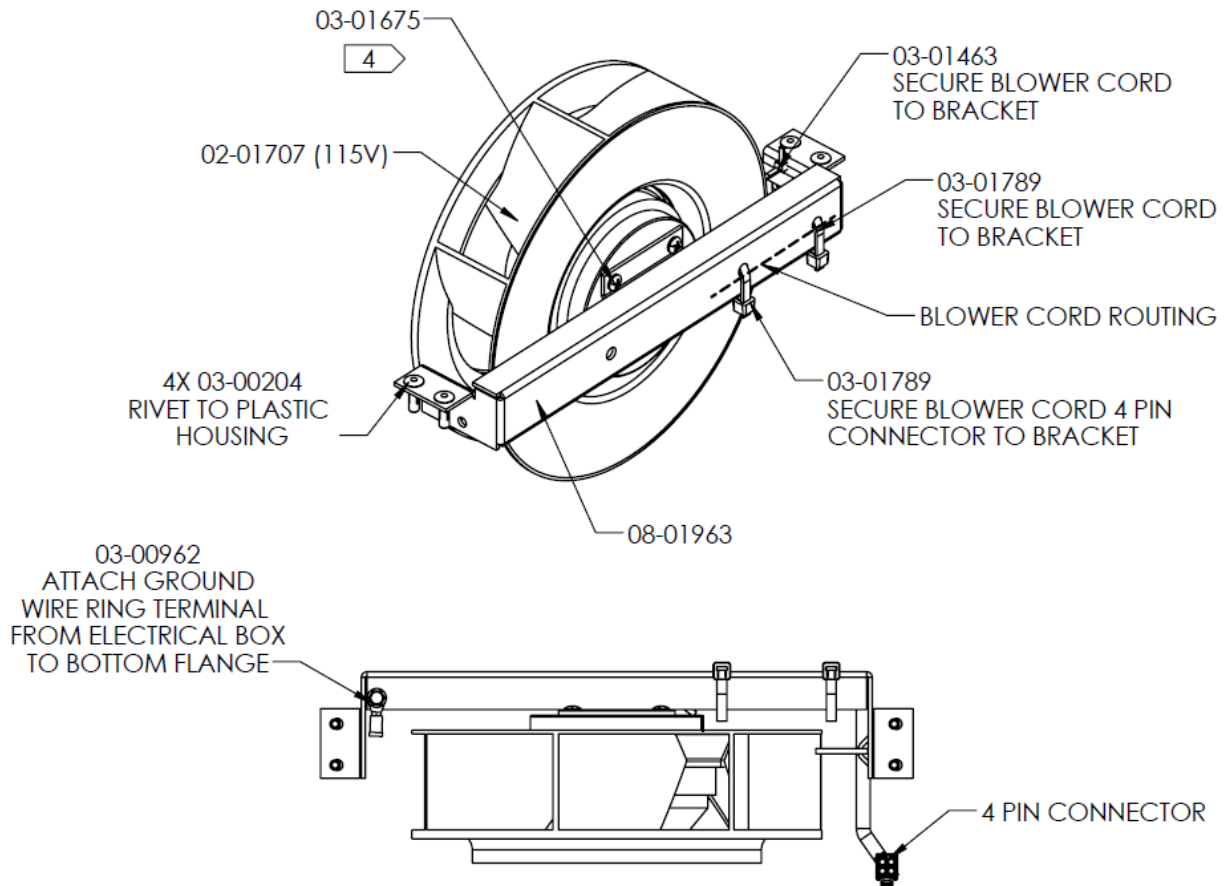
NEW PART NO.	OLD PART NO.	QTY	DESCRIPTION
103336	02-01622I	1	CORD SET – COMPRESSOR
103597	03-01785	1	CLAMP - HOSE 5 DIA X 1/2 BAND SAE 72 WORM DRIVE SS
112603	03-01796	4	SCREW - M6 X 1.0 X 10MM SER HWH SS
105383	08-01957	1	GASKET - COMPRESSOR BAND CLAMP REVOLUTION
101343	08-01967	1	BASE - COMPRESSOR MTG SS REVOLUTION LGR

PHD 200 COMPRESSOR ASSEMBLY VIEW



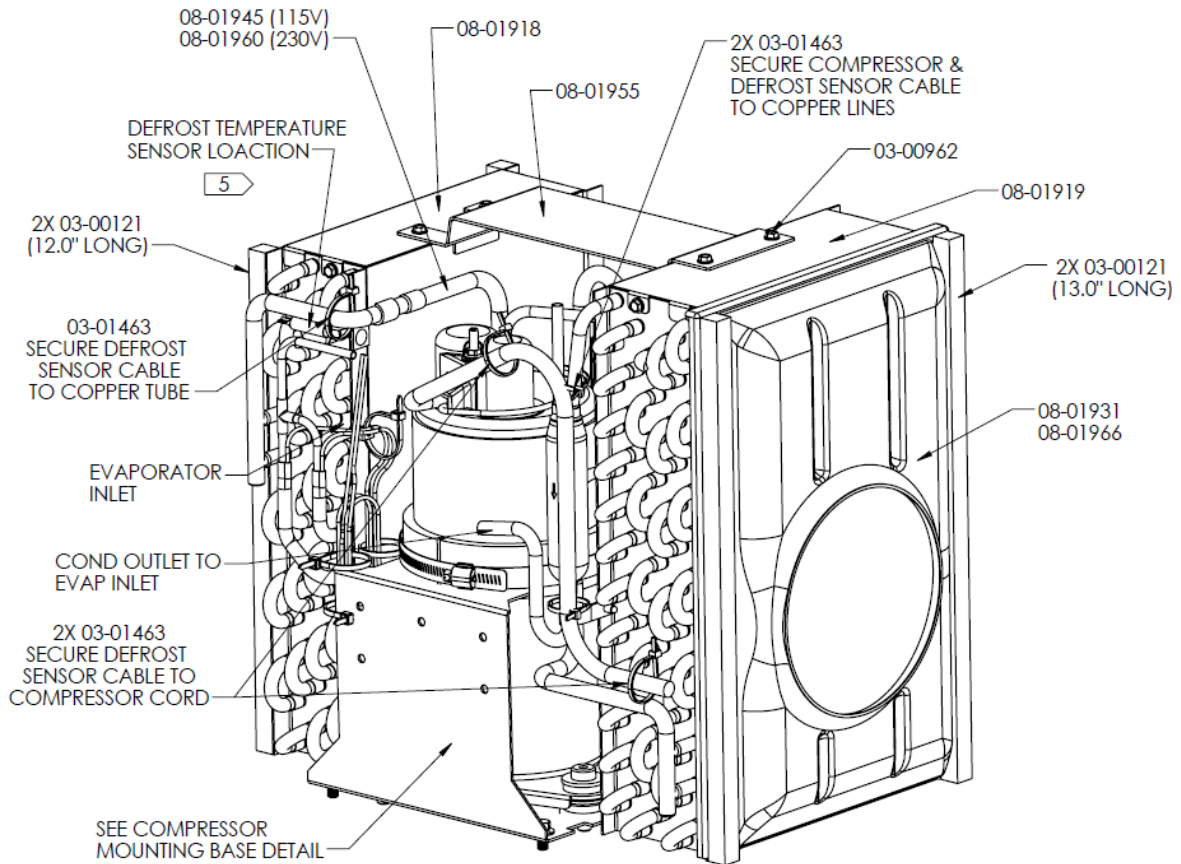
NEW PART NO.	OLD PART NO.	QTY	DESCRIPTION
115108	03-00506	3	WASHER - .375 USS .438 ID X 1.00 OD X .083 THK ZP
101797	03-01427	3	BOLT SHOULDER 5/16 - 3/8 X 3/4
109656	08-00240	1	NUT - TERMINAL COVER HH
120130	08-00241	1	WASHER - GASKET 7/32 ID X 9/16 OD RBR
119615	08-00242	1	SPRING - 1-1/16 OD X 1/2 H
105192	08-00243	1	GASKET - TERMINAL CVR 2-5/16 X 3-9/16 X .036 RBR
103476	08-00244	1	COVER - TERMINAL 3-1/4 X 2-1/8 X 1-5/8 PLASTIC
106933	08-00247	3	GROMMET - .38 ID X 1.13 OD RUBBER BLACK
115558	08-01659	1	WIRE LEAD - COMPRESSOR OVERLOAD
111565	08-01829	1	OVERLOAD - COMPRESSOR
110772	08-01941	1	COMPRESSOR - ROTARY 115V 6926 BTU R410A

PHD 200 – BLOWER ASSEMBLY VIEW



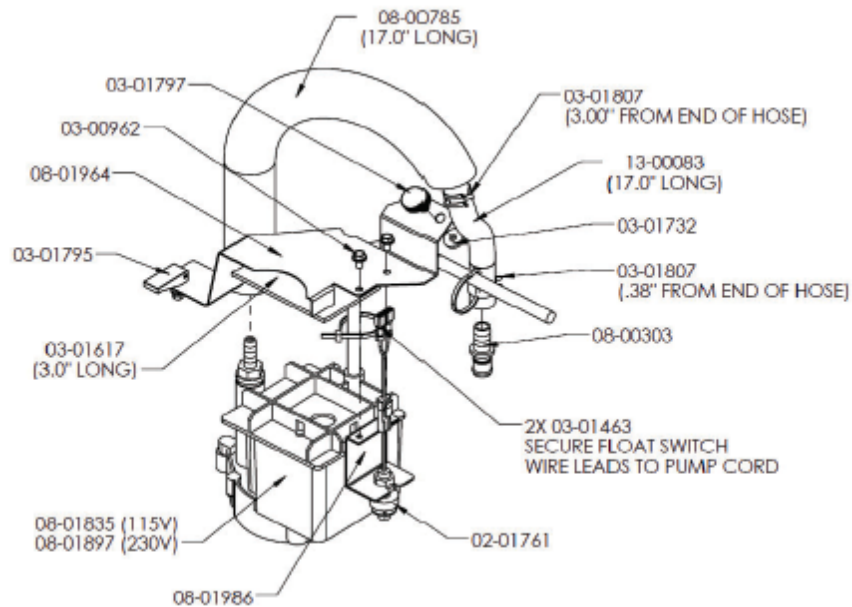
NEW PART NO.	OLD PART NO.	QTY	DESCRIPTION
106964	02-01707	1	BLOWER ASSY – MOTORIZED IMPELLER 115V 65W 2595 RPM REVOLUTION
112015	03-00204	4	RIVET – 3/16 X 5/8 TRI FOLD AL/AL
119379	03-00962	1	SCREW - #8-32 X 1/4 TC CLASS 2 HWH ZP
103298	03-01463	1	CABLE TIE – 6 NYLON
114467	03-01675	4	SCREW – M4 X 8MM PHP ZP
109099	03-01789	2	CABLE TIE – 8.0 X .18 WIDE NYLON BLK

PHD 200 – REFRIGERATION SYSTEM VIEW



NEW PART NO.	OLD PART NO.	QTY	DESCRIPTION
105177	03-00121	2	GASKET – 1/2 X 1/2 POLYURETHANE PSA 12 IN LONG
119379	03-00962	4	SCREW - #8-32 X 1/4 TC CLASS 2 HWH ZP
103298	03-01463	4	CABLE TIE – 6 NYLON
102991	08-01918	1	COIL ASSY – EVAPORATOR 410A REVOLUTION
103688	08-01919	1	COIL ASSY – CONDENSER 410A REVOLUTION
113029	08-01931	1	SHROUD – IMPELLER ABS ROHS BLK REVOLUTION
113959	08-01945-1	1	REFRIGERATION LINES – 115V REVOLUTION
102911	08-01955	1	BRACKET – COILS GALV STL REVOLUTION

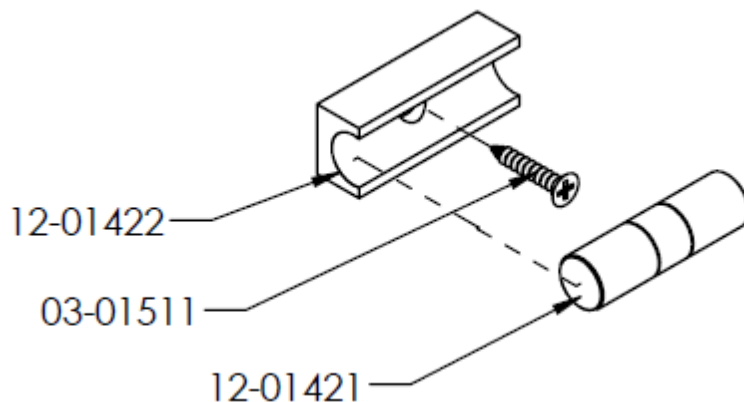
PHD 200 – PUMP ASSEMBLY VIEW



(FROM MANUFACTURERS DATE 10/10/2020)

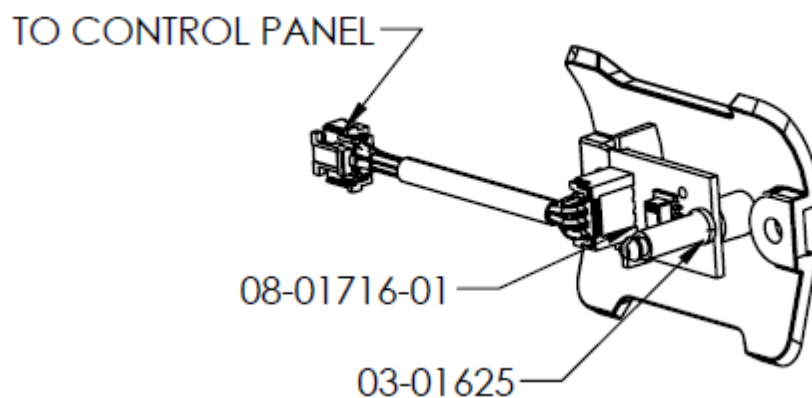
NEW PART NO.	OLD PART NO.	QTY	DESCRIPTION
113355	02-01761	1	SWITCH - SPLIT MAGNETIC FLOAT
119379	03-00962	2	SCREW - #8-32 X 1/4 TC CLASS 2 HWH ZP
103298	03-01463	2	CABLE TIE – 6 NYLON
105380	03-01617	1	GASKET - 2.00 X 3.00 X .125 EPDM PSA
120134	03-01732	1	WASHER - .17 ID X .50 OD X .09 NEOPR RUBBER
118038	03-01795	1	LATCH – SWELL ACTION NYLON BLK
119423	03-01797	1	SCREW - THUMB M5 X 0.8 X 10MM SS KNURLED 16MM DIA BLK
110196	03-01807	2	CLAMP - HOSE 5/8 DIA SPRING STL ZP
105026	08-00303	1	FITTING – QUICK DISCONNECT INSERT 3/8 BARB
101895	08-00785	1	INSULATION - PIPE .375 ID X .375 WALL VINYL NITRILE 17" LONG
108057	08-01964	1	BRACKET - PUMP HOLD DOWN SS REVOLUTION
102917	08-01986	1	BRACKET - MOUNTING PUMP & OVERFLOW SWITCH REVOLUTION LGR
119094	08-01835	1	PUMP - SUBMERSIBLE 115V 1.3 GPM 4FT CORD
116346	13-00083	1	TUBING – 3/8 ID X 5/8 OD BRAIDED PVC

PHD 200 - LEVEL VIAL VIEW



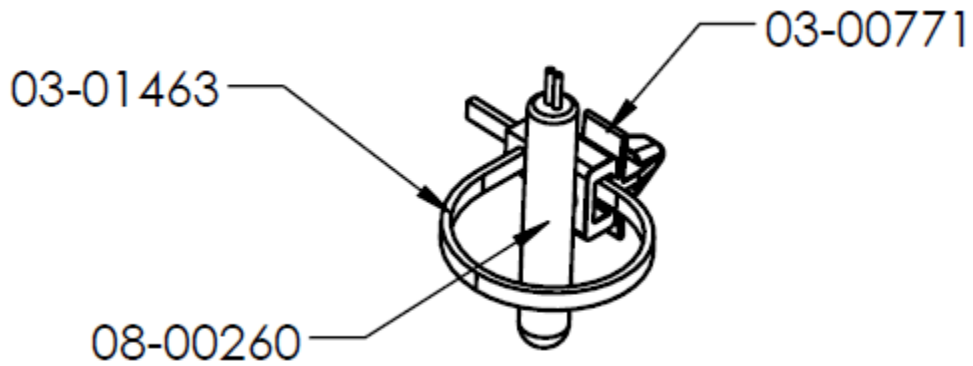
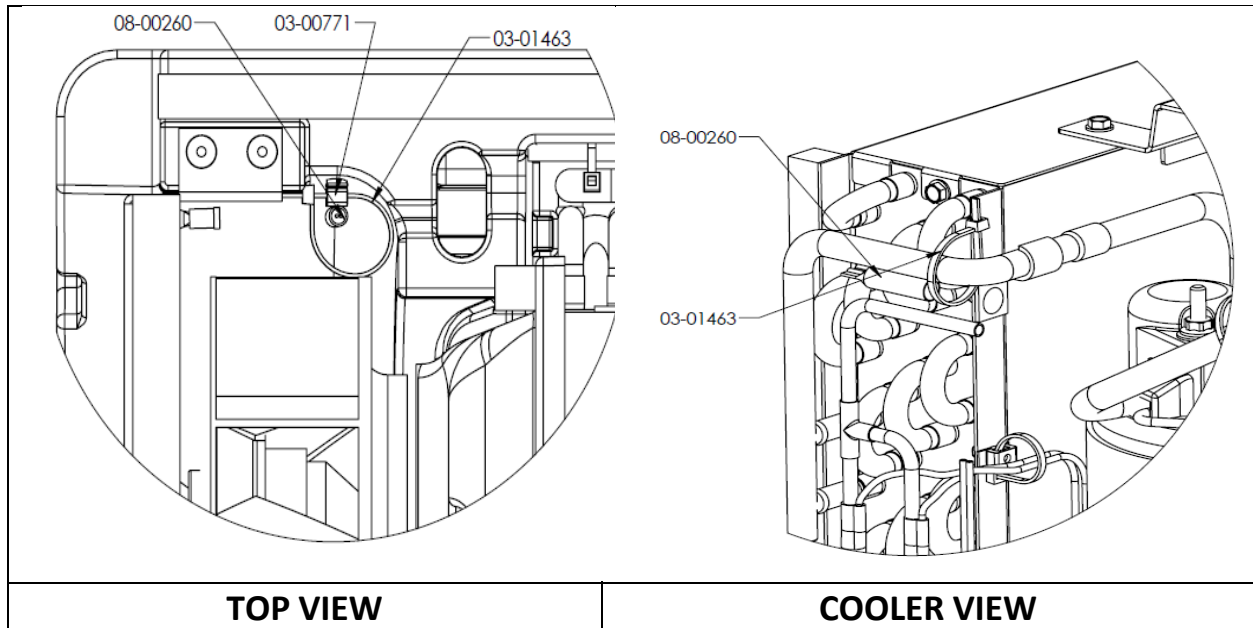
NEW PART NO.	OLD PART NO.	QTY	DESCRIPTION
112349	03-01511	1	SCREW - #4 X 5/8 CH PHIL ZP
108033	12-01421	1	LEVEL – VIAL .375 DIA X 1.373 LONG ACRYLIC
105946	12-01422	1	HOLDER – LEVEL VIAL .375 X 1.39 LONG WHT

PHD 200 - INLET SENSOR VIEW



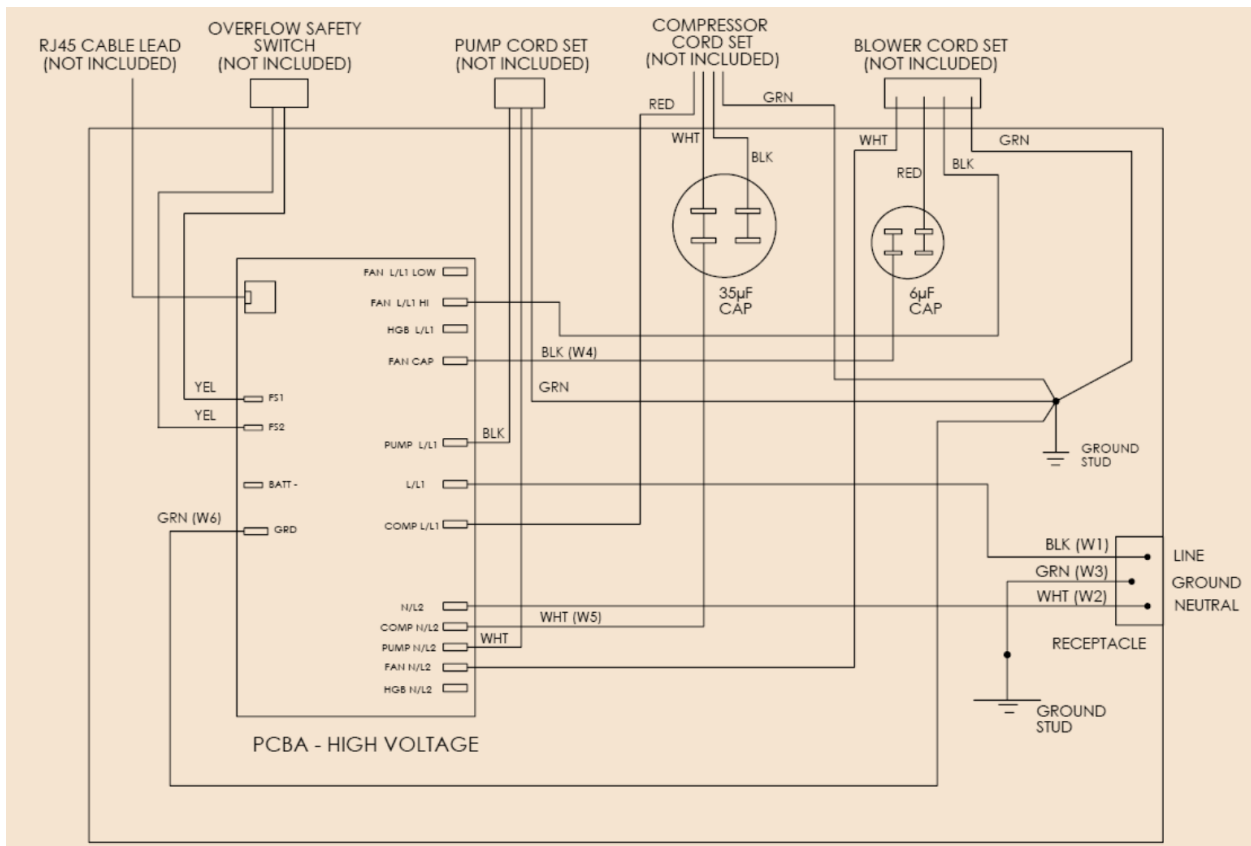
NEW PART NO.	OLD PART NO.	QTY	DESCRIPTION
119385	03-01625	1	SCREW - #4 X 1/4 AB PHP ZP
112915	08-01716-01	1	SENR ASSY – TEMP/RH CABLED

PHD 200 – OUTLET SENSOR VIEWS



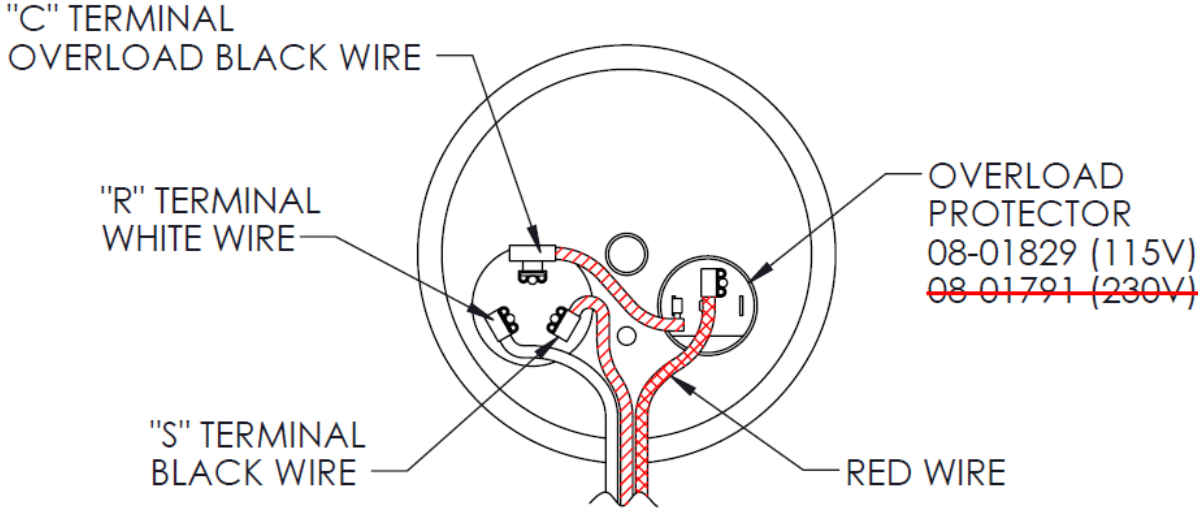
<i>NEW PART NO.</i>	<i>OLD PART NO.</i>	<i>QTY</i>	<i>DESCRIPTION</i>
111584	03-00771	1	PUSH MOUNT – NYLON
103298	03-01463	2	CABLE TIE – 6 NYLON
119488	08-00260	2	SENSOR CABLE ASSY – MICRO CONTROLLER TEMP DEFROST DEUS

WIRING SCHEMATIC 115V

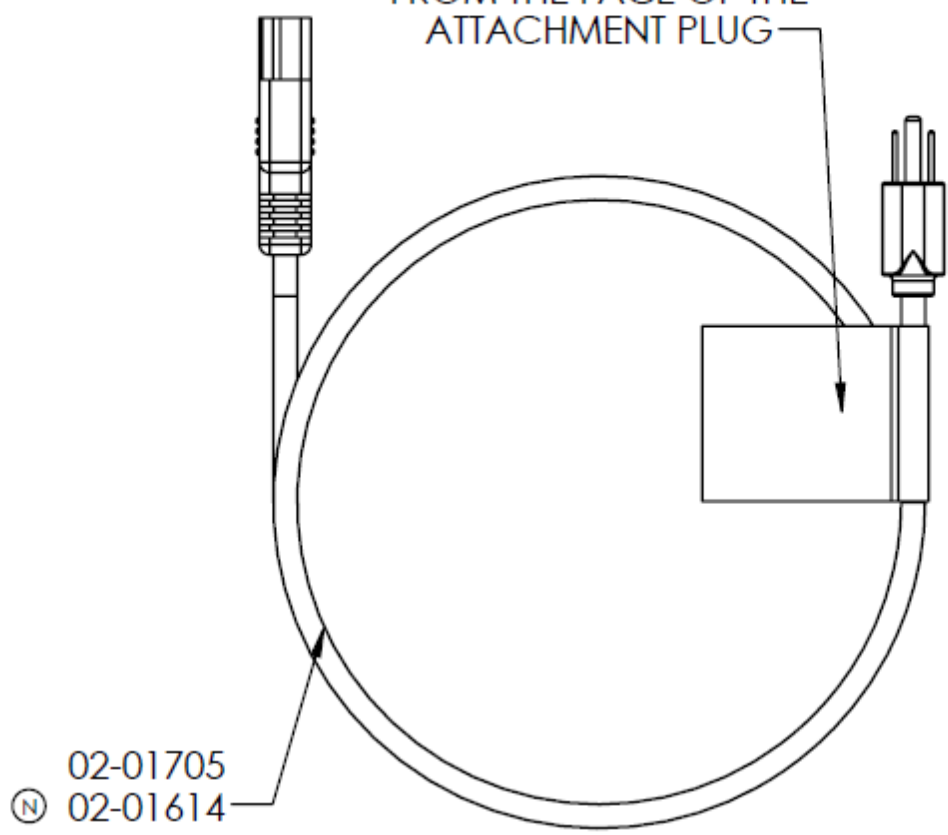


Ⓔ WIRING SCHEMATIC - PHD 200

COMPRESSOR WIRING VIEW



07-01786
 APPLY WARNING LABEL
 NO MORE THAN 6.00 INCHES
 FROM THE FACE OF THE
 ATTACHMENT PLUG



NEW PART NO.	OLD PART NO.	QTY	DESCRIPTION
119050	02-01614	1	POWER CORD ASSY – 14/3 SJTOW NEMA 5-15/ IEC C15 25FT (CFM)
119051	02-01705	1	POWER CORD ASSY – 14/3 SJTW NEMA 5-15/ IEC C15 6FT (-TX & PHD)

